

Green Power Off Line SMPS Primary Switcher

Features

- 85v to 265v wide range AC voltage input
- A 730v MOSFET on the same silicon chip
- Auto start up with high voltage current source
- PWM with current mode control
- 10v to 39v wide range VCC voltage
- Fixed 55KHz switching frequency
- Automatic skip cycle mode in low load condition.
- Over temperature, over current and over voltage protection
- Auxiliary under voltage lockout with hysteresis

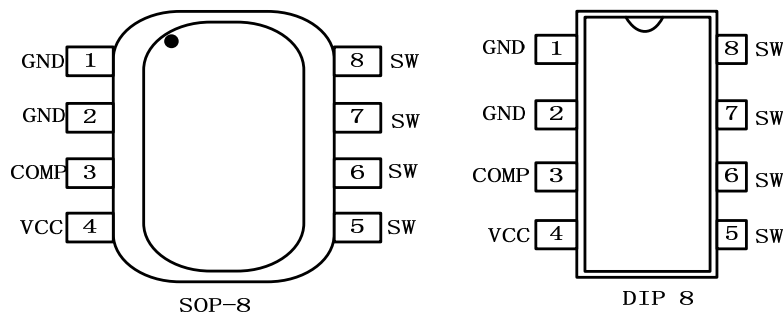
Applications

- Power AC/DC Adapters for Chargers
- Electromagnetic Oven power supplies
- Air Conditioner power supplies
- AC/DC LED Driver Applications

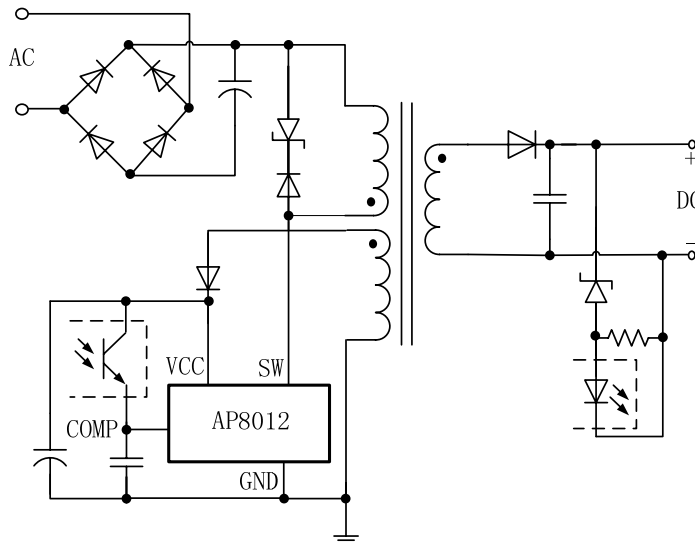
Package

Type	SOP8	DIP8
European (195-265 Vac)	8W	13W
US (85-265 Vac)	5W	8W

Pin Configuration



Typical Application



AP8012

Chipown