

**Green Power
Off Line SMPS Primary Switcher**

Features

- 85v to 265v wide range AC voltage input
- A 730v MOSFET on the same silicon chip
- Auto start up with high voltage current source
- PWM with current mode control
- 10v to 39v wide range VCC voltage
- Fixed 55KHz switching frequency
- Automatic skip cycle mode in low load condition.
- Over temperature, over current and over voltage protection
- Auxiliary under voltage lockout with hysteresis

Applications

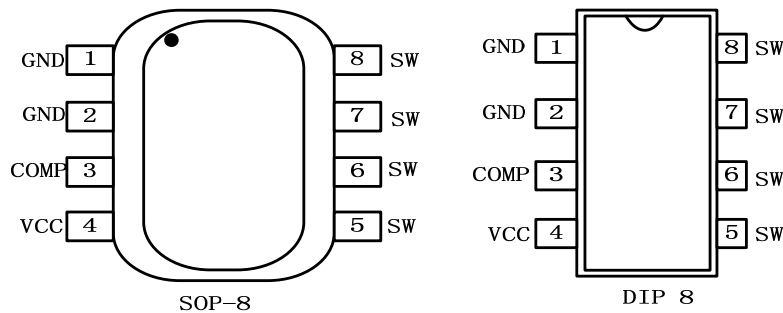
- Power AC/DC Adapters for Chargers
- DVD/VCD power supplies
- Electromagnetic Oven power supplies
- Air Conditioner power supplies
- STB power supplies
- AC/DC LED Driver Applications

Package

- SOP8 & DIP8

类型	SOP8	DIP8
欧洲 (195-265 Vac)	12W	20W
美国 (85-265 Vac)	7 W	12W

Pin Configuration



Typical Application

